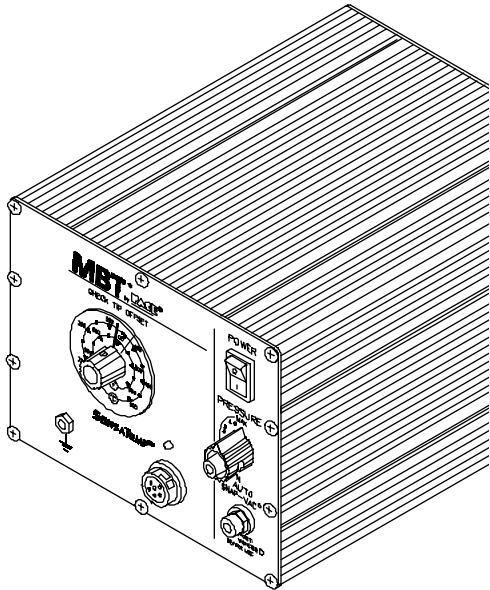
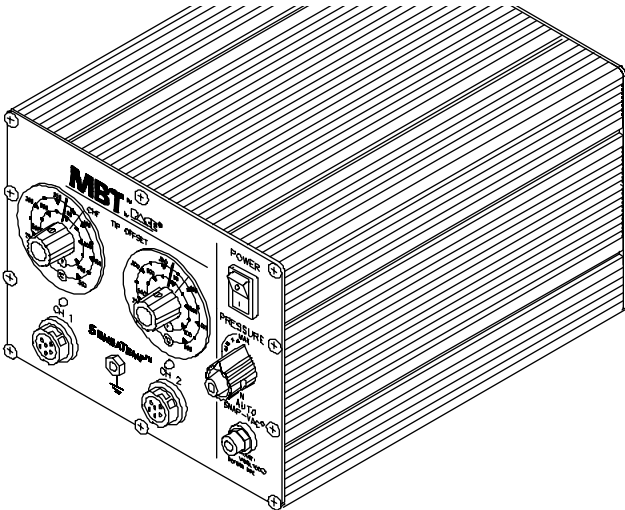


**MBT 201A, MBT 101A SYSTEMS**



**OPERATION &  
MAINTENANCE  
MANUAL**



**MANUAL NO. 5050-0381**

**REV. B**

**SYSTEM QUICK START**

The MBT 201A and MBT 101A systems are very easy to operate and can be quickly set up for use in standard soldering/desoldering operations. **To begin operation of your new system quickly, perform the "Set-Up" and "Quick Start - Basic Operation" procedures detailed on pages 12 - 17 of this manual.** When performing other operations which require use of large or specialized tips, PACE recommends that the user read and fully understand the "Operation" portion of this manual in order to utilize the features of this system.



*Systems for Development, Production  
and Repair of Electronic Assemblies*

PACE Incorporated retains the right to make changes to specifications contained herein at any time, without notice.

Contact your local authorized PACE Distributor or PACE Incorporated to obtain the latest specifications.

The following are registered trademarks and/or servicemarks of PACE Incorporated, Laurel Maryland U.S.A. and may only be used to identify genuine PACE products or services:

AdapTip, Arm-Evac, Cir-Kit, ComForm I, ConductTweez, CRAFT, Dual Path, Flo-D-Sodr, FuseSet, HandiPik, HotSpot, LapFlo, MBT, Micro Portable, MicroChine, MiniChine, Mini-Wave, PACE, Pacenter, Ped-A-Vac, PETS, Pik-Vac, PRC, PRINT, Pro-Evac, Redi-Rak, ResisTweez, SensaTemp, SMR, Snap-Vac, Sodr-Pen, Sodr-X-Tractor, SR-3, SR-4, ST, StripTweez, SwaPlater, ThermoBand, Thermo-Drive, ThermoJet, ThermoPart, ThermoPik, ThermoTweez, Tip-Evac, VisiFilter.

The following are trademarks and/or servicemarks of PACE Incorporated, Laurel Maryland U.S.A. and may only be used to identify genuine PACE products or services:

Auto Off, Cubby-Vac, Datastore, Dust Evac, EKO, Lab Evac, PaceLink, PaceNet, Pik & Paste, Prep-Set, Pulse Plate, Spa-Kleen, ThermoBond, TweezPik, Uni-Frame, V-A-N Ventur-Evac.



Since 1958, PACE Incorporated has provided advanced technology training in all aspects of hand soldering, rework and repair.

Additional copies of this manual or other PACE literature may be obtained from:

PACE Incorporated           (301) 490 - 9860  
Sales Administration       (301) 498 - 3252 Fax  
9893 Brewers Court  
Laurel MD 20723-1990

©1995 PACE Incorporated, Laurel MD. All rights reserved. Printed in the U.S.A.

# TABLE OF CONTENTS

TITLE	PAGE
General Information .....	2
Introduction .....	2
Specifications .....	4
Capabilities .....	6
Product Application .....	7
Parts Identification .....	8
Safety .....	10
Set-up .....	12
System .....	12
Handpiece Vacuum/Pressure .....	14
Quick Start - Basic Operation .....	17
Operation .....	18
Tip & Temperature Selection .....	18
Channel Led Operation .....	18
Corrective Maintenance .....	19
VisiFilter Element Replacement .....	19
Handpieces .....	20
Power Source .....	21
Replacement Parts .....	22
Power Source .....	22
Accessory Tray, MBT 201A/J/E .....	23
Accessory Tray, MBT 101A/J/E .....	24
Accessory Kit, MBT 201A/J/E .....	25
Accessory Kit, MBT 101A/J/E .....	26
Manual Improvement & Comment Form .....	27

TABLE	PAGE
Table I Heater Assembly Checkout Procedures .....	20
Table II Power Source Corrective Maintenance .....	21
Table III Power Source Replacement Parts .....	22
Table IV MBT 201A/J/E Accessory Tray .....	23
Table V MBT 101A/J/E Accessory Tray .....	24
Table VI MBT 201A/J/E Accessory Kit .....	25
Table VII MBT 101A/J/E Accessory Kit .....	26

# **GENERAL INFORMATION**

## **INTRODUCTION**

The MBT 201A and MBT 101A Universal Soldering/Desoldering Systems provide the user with the power and versatility to remove and install SMD and Thru-Hole devices. The power source incorporates a highly responsive SensaTemp (closed-loop) temperature control system which provides power to the two output channels on the MBT 201A systems and to a single output channel on the MBT 101A systems. Accessory handpieces (standard & optional) and special use tips allow the user to remove and replace a wide variety of surface mount components.

The self-contained **AUTO SNAP-VAC** pump provides an automatic minimum on-time of 1.2 seconds to virtually eliminate re-sweat joints, tip clogging and maintenance while dramatically increasing tip life.

Virtually all of today's specialized handpieces with large SMD tips suffer from a problem in which the actual tip temperature that the work sees can be more than 100°F cooler than the Set Tip Temperature on the Variable Temperature Control. MBT 201A/101A systems feature PACE's unique Tip & Temperature Selection System which allows the user to set the true temperature desired for any size and type of tip or handpiece.

The MBT 101A and MBT 201A systems are available in either the 115 VAC version, 100 VAC version or 230 VAC version. The 230 VAC version system bears the CE Conformity Marking which assures the user that it conforms to all the requirements of council directive EMC 89/336/EEC. The systems package the power source with a selection of accessories and functional aids. These systems are as follows.

# GENERAL INFORMATION

- MBT 101A SYSTEM -** Consists of PPS 75A (115 VAC, 60 Hz Version) Power Source, SX-70 Sodr-X-Tractor, SX Tip & Tool Stand, Tip & Temperature Selection System Charts and Accessory Kit.
- MBT 101AJ SYSTEM -** Consists of PPS 75AJ (100 VAC, 50/60 Hz Version) Power Source, SX-70 Sodr-X-Tractor, SX Tip & Tool Stand, Tip & Temperature Selection System Charts and Accessory Kit.
- MBT 101AE SYSTEM -** Consists of PPS 75AE (230 VAC, 50 Hz Version) Power Source, SX-70 Sodr-X-Tractor, SX Tip & Tool Stand, Tip & Temperature Selection System Charts and Accessory Kit.
- MBT 201A SYSTEM -** Consists of PPS 80A (115 VAC, 60 Hz Version) Power Source, SP-2A Sodr-Pen Soldering Iron, SX-70 Sodr-X-Tractor, SX & SP Tip & Tool Stands, Tip & Temperature Selection System Charts and Accessory Kit.
- MBT 201AJ SYSTEM -** Consists of PPS 80AJ (100 VAC, 50/60 Hz Version) Power Source, SP-2A Sodr-Pen Soldering Iron, SX-70 Sodr-X-Tractor, SX & SP Tip & Tool Stands, Tip & Temperature Selection System Charts and Accessory Kit.
- MBT 201AE SYSTEM -** Consists of PPS 80AE (230 VAC, 50 Hz Version) Power Source, SP-2A Sodr-Pen Soldering Iron, SX-70 Sodr-X-Tractor, SX & SP Tip & Tool Stands, Tip & Temperature Selection System Charts and Accessory Kit.
- PETS 5A, 5AE SYSTEMS -** PACE Educational Systems containing everything required for step-by-step training in high reliability soldering & desoldering. Consists of MBT 201A or MBT 201AE systems plus instructional Videos, Manuals & Skills Kits.

The SR-3 “Safety Rated” designation on the front panel is your assurance that the MBT 101A/J/E and MBT 201A/J/E systems: Meet all applicable EOS/ESD, temperature stability and other government and industry specification requirements (including MIL-STD-2000A); contain PACE’s unique SensaTemp temperature management system for high performance and safety, plus a Tip Offset Compensation feature for superior thermal process control.

# GENERAL INFORMATION

## SPECIFICATIONS

### POWER REQUIREMENTS

- PPS 75A (MBT 101A System)** - Version operates on 97-127 VAC, 50/60 Hz.  
86 Watts, 0.75 Amp typical; 120 Watts, 1.0 Amp maximum
- PPS 75AJ (MBT 101AJ System)** - Version operates on 90-115 VAC, 50/60 Hz.  
86 Watts, 0.86 Amp typical; 120 Watts, 1.2 Amp maximum
- PPS 75AE (MBT 101AE System)**- Version operates on 196-264 VAC, 50 Hz.  
86 Watts, 0.44 Amp typical; 100 Watts, 0.55 Amp maximum
- PPS 80A (MBT 201A System)** - Version operates on 97-127 VAC, 50/60 Hz.  
138 Watts, 1.2 Amp typical; 184 Watts, 1.6 Amp maximum
- PPS 80AJ (MBT 201AJ System)**- Version operates on 90-115 VAC, 50/60 Hz.  
138 Watts, 1.4 Amp typical; 184 Watts, 1.8 Amp maximum
- PPS 80AE (MBT 201AE System)**- Version operates on 196-264 VAC, 50 Hz.  
138 Watts, 0.6 Amp typical; 199 Watts, 0.9 Amp maximum

### VACUUM AND AIR

Measurements at front panel **AUTO SNAP-VAC** and Controllable **PRESSURE** Ports of power source.

- Vacuum Rise Time:** Evacuates 33 cc (2 cubic inch) volume  
to 25 cm Hg. (10 in. Hg.) in 200 ms.
- Vacuum:** 51 cm Hg. (20 in. Hg.) (nominal).
- Pressure:** .48 Bar (7 P.S.I.) (nominal, "MAX" setting).
- Air Flow:** 9 SLPM (0.32 SCFM) maximum.

### ENVIRONMENTAL REQUIREMENTS

- Ambient Operating Temperature:** 0°C to 50°C (32°F to 120°F).
- Storage Temperature:** -40°C to 100°C (-40°F to 212°F).

# GENERAL INFORMATION

## PHYSICAL PARAMETERS

**Size (all systems):** 13.5 cm H X 16.5 cm W X 20.3 cm D  
(5.3 in. H X 6.5 in. W X 8.0 in. D)

**Weight (all systems):** PPS 75A/J/E - 3.7 kg. (8.1 lbs.)  
PPS 80A/J/E - 3.7 kg. (8.1 lbs.)

## TEMPERATURE SPECIFICATIONS

**Tip Temperature Range:** 232°C to 482°C (450°F to 900°F), nominal.

**Accuracy:** ±5% of control setting

**Tip Temperature Stability:** ±1.1°C (2°F) at idle from Set Tip Temperature.

### NOTE

True minimum and maximum Operating Tip Temperatures may vary depending on handpiece & tip selection.

## EOS/ESD

**Tip-To-Ground Resistance:** Less than 2 ohms.

**AC Leakage:** Less than 2 millivolts RMS from 50Hz to 500Hz, min.



# GENERAL INFORMATION

## CAPABILITIES

All capabilities are dependent upon the use of the appropriate Functional Accessories or Work Aids. Available SensaTemp handpieces and their associated assembly and repair functions are listed below (a manual is provided separately with each handpiece which describes the applications and recommended procedures for that particular tool).

**SP-2A Sodr-Pen Soldering Iron** - Standard handpiece on MBT 201A, MBT 201AJ & MBT 201AE systems. Provides a wide range of SMD and thru-hole installation and removal capability as well as unsurpassed thermal performance on heavy, multilayer thru-hole assemblies at safe, lower working temperatures. A wide variety of 3/16" shank, quick change thru-hole and SMD tips (for chip components, SOTs, SOICs and other components) are available.

**SP-1A Sodr-Pen Soldering Iron** - Uses 1/8" shank tips and features a slimmer, more compact heater than the SP-2A Sodr-Pen for easier access on densely populated assemblies.

**SX-70 Sodr-X-Tractor Handpiece** - Standard handpiece on MBT 201A, MBT 201AJ, MBT 201AE, MBT 101A, MBT 101AJ & MBT 101AE systems. Provides thermally enhanced thru-hole desoldering on heavy multilayer assemblies, especially during continuous use. With the unique Flo-D-Sodr tip, the Sodr-X-Tractor performs safe, continuous SMT land cleaning and preparation. The slim-line, pencil-grip design and finger-actuated vacuum switch allow easy use and manipulation in tight places.

**TT-65 ThermoTweez Handpiece** - Provides safe, one-handed reflow and removal of PLCCs, LCCCs, chip components and other surface mount devices. Its high thermal capacity and targeted heat quickly removes large SMDs without damage to the board or adjacent components, even on heavy, multilayer assemblies. The unique, vertically oriented design and a wide variety of quick change tips easily reach into tight work areas for safe SMD removal.

**TP-65 ThermoPik Handpiece** - Provides safe, one-handed reflow and removal of a wide variety of PQFPs and FlatPacks in just seconds. The high thermal efficiency design targets controlled SensaTemp heat directly at the solder joints, away from sensitive substrate areas and adjacent components. The ThermoPik's self-adjusting integral vacuum pick and unique design provide easy, one-handed operation.

**TJ-70 Mini ThermoJet Handpiece** - Provides safe, rapid installation of SMDs including chip components, SOTs, SOICs, PLCCs, LCCCs and FlatPacks. The slim-line design and precision focused air flow lets you easily target controlled heat right at the solder joints without damaging the board or adjacent components. A finger-actuated air switch and SensaTemp control provide safe, "on-demand" capability without constant running of the air pump.

# **GENERAL INFORMATION**

## **NOTE**

The MBT 101A/J/E and MBT 201A/J/E products feature PACE's unique SensaTemp closed loop temperature management system which will function only with the SensaTemp handpieces listed above. Do not attempt to use any other handpiece. Likewise, use SensaTemp handpieces on only those systems with an SR-3 or SR-4 rating (marked on front panel of power source). These include other MBT systems (MBT 101A, MBT 201A and higher) and all ST series systems.

## **PRODUCT APPLICATION**

These products are very versatile and may be used to satisfy a variety of application requirements. If you require assistance in the use of this product for your particular application, contact your local authorized PACE distributor or call PACE Applications Engineering at Tel. # (301) 490-9860, Fax # (301) 604-9215.

# GENERAL INFORMATION

## PARTS IDENTIFICATION

1. **POWER SWITCH** - Turns system ON (“1”) and OFF (“0”); controls input power to system.
2. **CH 1 VARIABLE TEMPERATURE CONTROL** - Allows the operator to adjust the tip temperature for handpiece/tip combination connected to channel 1.
3. **CH 2 VARIABLE TEMPERATURE CONTROL (MBT 201A/J/E Systems Only)** - Allows the operator to adjust the tip temperature for handpiece/tip combination connected to channel 2.
4. **CH 1 POWER RECEPTACLE** - Provides power, tip ground, sensing circuitry and finger switch connection from MBT system to the handpiece connected to channel 1.
5. **CH 2 POWER RECEPTACLE (MBT 201A/J/E Systems Only)** - Provides power, tip ground, sensing circuitry and finger switch connection from MBT system to the handpiece connected to channel 2.
6. **CH 1 LED** - Green LED provides visual indication of duty cycle control of channel 1. Indicator lights as power is applied to the connected handpiece.
7. **CH 2 LED (MBT 201/J/E Systems Only)** - Green LED provides visual indication of duty cycle control of channel 2. Indicator lights as power is applied to the connected handpiece.
8. **AUTO SNAP-VAC PORT** - Quick connect fitting which provides quick-rise vacuum for Sodr-X-Tractor or ThermoPik handpieces. Vacuum is present when handpiece finger switch or optional foot pedal is actuated. Vacuum continues a minimum of 1.2 seconds after switch (or foot pedal) actuation.
9. **CONTROLLABLE PRESSURE PORT** - Quick connect fitting with adjustable valve which provides variable air flow for the Mini ThermoJet handpiece. Air pressure is present when handpiece finger switch or optional foot pedal is actuated. Air pressure ceases 1.2 seconds after switch (or foot pedal) is released.
10. **EARTH GROUND RECEPTACLE** - Provides positive earth ground to which a ground cable can be connected from the workpiece or work surface as part of a static control program.
11. **POWER CORD** - Provides main power to system from AC outlet to AC Power Receptacle.
12. **AC POWER RECEPTACLE/FUSE HOLDER** - Receptacle for providing power to the system from AC outlet through Power Cord, and location of fuse which protects system from overcurrent conditions.
13. **FUSE** - Provides overload protection for MBT system.
14. **FOOT PEDAL RECEPTACLE** - Input for foot pedal (optional) which actuates vacuum or pressure to the air-operated handpieces.

# GENERAL INFORMATION

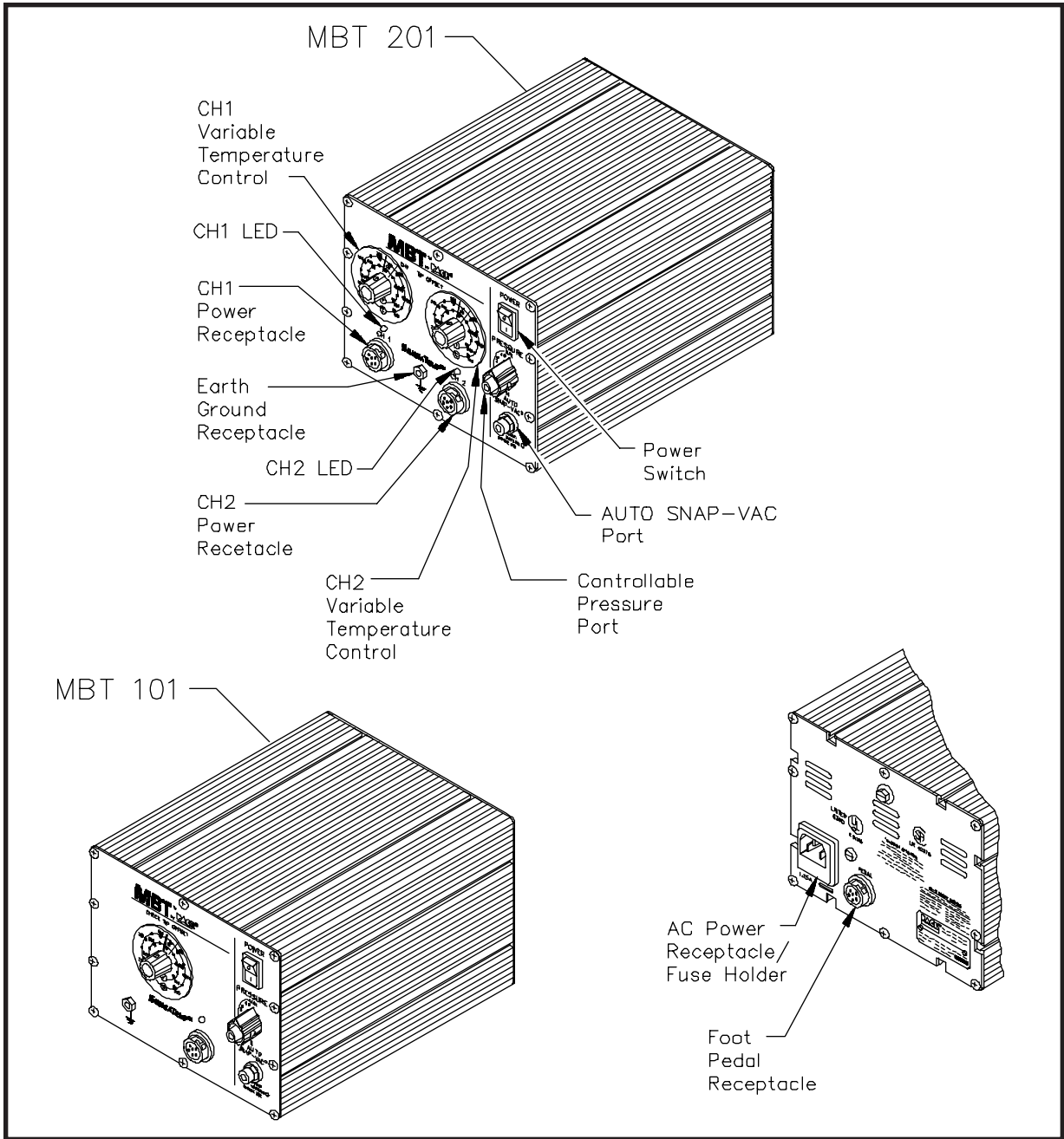


Figure 1. Parts Identification

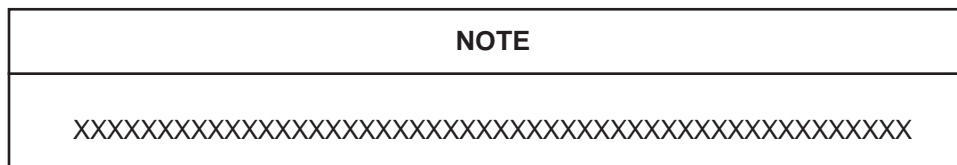
# **SAFETY**

The purpose of this "SAFETY" section is to inform users of the heading guidelines used in this manual to indicate special Notes, Cautions, Warnings or Dangers. Also included are recommended precautions which must be observed when operating or servicing this product.

## **HEADING GUIDELINES**

PACE adheres to the following Heading Guidelines (based on OSHA guidelines) when listing special information or precautions to be taken. Especially important are all procedures and practices which, if not strictly observed, could result in injury or loss of life.

These "NOTES", "CAUTIONS", "WARNINGS" and "DANGERS" are inserted in this manual whenever deemed necessary. They appear in a blocked off form with double outline and a shaded background to highlight the information as shown below.



### **NOTE**

Used to indicate a statement of company recommendation or policy. The message may relate directly or indirectly to the safety of personnel or protection of property. NOTE is not associated directly with a hazard or hazardous situation and is not used in place of "CAUTION", "WARNING" or "DANGER".

### **CAUTION**

Used to indicate a hazardous situation which may result in minor or moderate injury. May also be used to alert personnel to conditions, procedures and practices which, if not observed, could result in damage to or destruction of the product or other equipment.

### **WARNING**

Used to define additional information that if not closely followed might result in serious damage to equipment and represent a potential for serious personnel injury.

### **DANGER**

Defines additional information that if not closely followed might result in severe personnel injury or death. Danger is not used for property damage unless personal injury risk is present.

## PRECAUTIONS

The following are general safety precautions which personnel must understand and follow when using or servicing this product. These precautions may or may not be included elsewhere in this manual.

### USEAGE PRECAUTIONS

#### CAUTIONS

1. SensaTemp handpiece heaters and installed tips are hot when handpiece is powered on. **DO NOT** touch either the heater or tip. Severe burns may result! Always store handpiece in the appropriate cubby when not in use.
2. Always use this system in a well ventilated area. A fume extraction system such as those marketed by PACE are highly recommended to protect personnel from solder flux fumes.
3. Exercise proper precautions when using chemicals (e.g., solder paste). Refer to the Material Safety Data Sheet (MSDS) supplied with each chemical and adhere to all safety precautions recommended by the manufacturer.

#### NOTES

1. The solder collection chamber in the PACE Sodr-X-Tractor is made of glass. Never remove this chamber using pliers. Breakage of the chamber may result. Always remove using the procedures recommended by PACE in the associated handpiece manual.
2. The front end (heater end) of the glass solder collection chamber in the PACE Sodr-X-Tractor is hot when the handpiece is in use. When removing the chamber for cleaning, grip the chamber at the rear seal. Never touch the front end of the glass chamber with bare hands. Allow the chamber to cool before cleaning.
3. Always store any connected handpiece in the appropriate Tip & Tool Stand.

### SERVICING PRECAUTIONS

#### DANGERS

**POTENTIAL SHOCK HAZARD** - Repair procedures performed on this product should be performed by qualified service personnel only. Line voltage parts will be exposed when equipment is disassembled. Service personnel must avoid contact with these parts when troubleshooting the power source.

#### NOTES

Refer to the MBT 201, MBT 101, ST 50 Service Manual (P/N 5050-0340) whenever service is required. To insure continued peak performance, use genuine PACE replacement parts.

# SET-UP

## SYSTEM

Using Figures 1 thru 4 as a guide, set up the MBT 201A or MBT 101A system using the following steps.

1. Store the shipping container(s) in a convenient location. Reuse of these containers will prevent damage if you store or ship the system.
2. Place Power Switch in the “Off” or “0” position.
3. Position the system on a convenient bench.
4. Plug the Power Cord into AC Power Receptacle/Fuse Holder at the rear panel of the system.

### IMPORTANT

The AC supply receptacle must be checked to insure proper grounding before initial system operation.

5. Assemble the Tip & Tool Stand(s) and, if desired, attach to the power source. Assembly instructions are enclosed with each stand.
6. If you have purchased the optional Tip & Temperature Selection System Chart Holder, attach to the top of the power source using the supplied instructions.
7. Install the Tip & Temperature Selection System Charts booklet onto Chart Holder (if present). This booklet is supplied with each system.

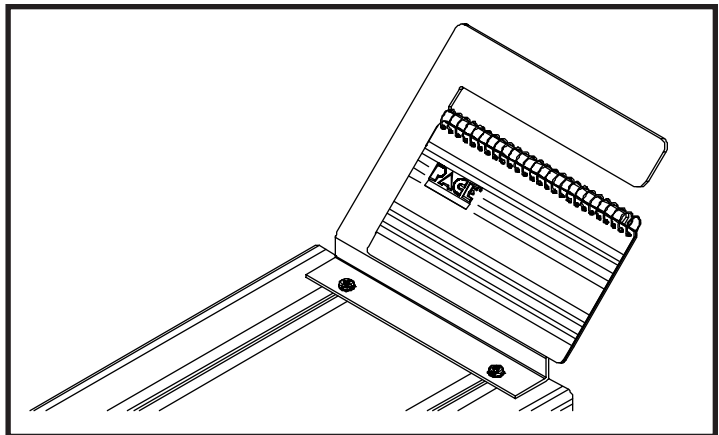


Figure 2. Tip & Temperature Chart Holder (Optional)

8. Place handpiece(s) into the Tip & Tool Stand(s).
9. Using Figure 3 as a guide, connect handpiece connector(s) to the power source Power Receptacle(s) in the following manner:
  - a) With the Connector Key end facing the power source, turn the Locking Ring fully counterclockwise.
  - b) Align the Connector Key with the Receptacle Keyway.
  - c) Insert the connector into the Power Receptacle.
  - d) Turn the Locking Ring fully clockwise to lock in place.

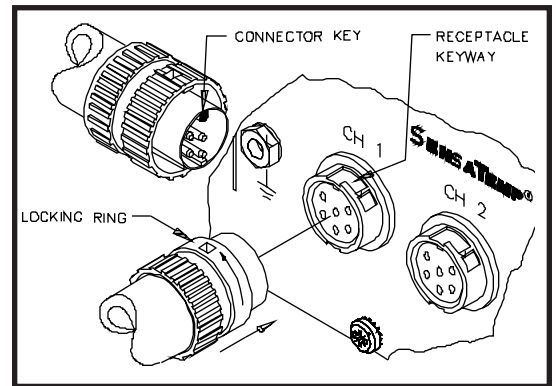


Figure 3. Handpiece Connection

10. To avoid confusion among handpieces on MBT 201A systems, PACE recommends the use of colored markers (P/N 6993-0136 Cable Marker Kit) to identify the particular handpiece power cable and/or air hose. Attach any two like colored markers, one to each end of the handpiece power cable or air hose. Select and use a different color marker for each handpiece.
11. If you have purchased the optional foot pedal, insert the foot pedal connector plug into the Foot Pedal Receptacle on the rear panel of the power source.
12. Plug the prong end of the Power Cord into a convenient three wire grounded outlet.
13. Place the **POWER** Switch in the "On" or "1" position. The system is now ready for operation.

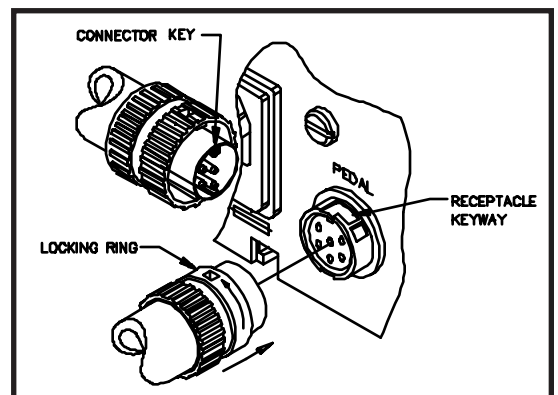


Figure 4. Foot Pedal Connection



# SET-UP

## HANDPIECE VACUUM/PRESSURE

### AIR HOSE CONNECTION

There are two methods of attaching the Air Hose from the PACE power source to an air handpiece. Select the method which best suits your needs. The Quick Connect Method is best suited for configurations where multiple air handpieces may be in use. The Traditional Method is best suited for single air handpiece configurations.

#### CAUTION

Regardless of connection method, ensure that only one Air Hose is connected to the VisiFilter assembly (connected to the **AUTO SNAP-VAC** Port) or Controllable **PRESSURE** Port at one time. Attachment to both ports simultaneously will cause a deterioration of performance.

#### QUICK CONNECT METHOD

To set up each air handpiece for the quick connect operation, perform the following steps.

1. Attach a 1 inch length (2.5cm) of clear pvc Air Hose (P/N 1325-0003-07) to the metal tube in the back of each handpiece.
2. To the other end of the 1 inch (2.5cm) clear pvc Air Hose attach a female quick connect hose mount Fitting (P/N 1259-0086). Secure this short Air Hose to the handpiece power cable with one cable clip (P/N 1321-0085-01).

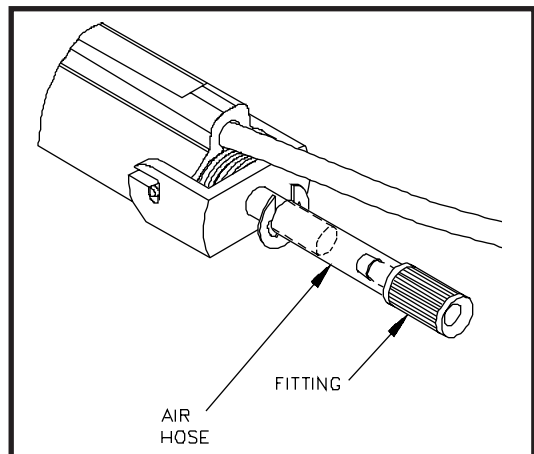


Figure 5. Handpiece Quick Connect Hose

3. Prepare a quick connect Air Hose by inserting a metal hose clamp (P/N 1211-0036, standard on MBT 201A systems) & a male quick connect hose mount Fitting (P/N 1259-0087) into each end of a 54 inch (137cm) length of Air Hose. Push the ridged ends of the Fittings into the hose; slide & twist the metal hose clamps over the connections to secure. You may already have this piece if you have other quick disconnect handpieces configured.

4. Prepare a VisiFilter in the following manner.

- a) Connect a 1 inch (2.5cm) length of clear pvc Air Hose to each side of the VisiFilter; push and turn hose onto VisiFilter nipple to seat.
- b) To the free end of the Air Hose connected to the **FLOW IN** side of the VisiFilter, insert the ridged end of a female quick connect hose mount Fitting (P/N 1259-0086).
- c) Insert the ridged end of a male quick connect hose mount Fitting (P/N 1259-0087) in the free end of the Air Hose connected to the **FLOW OUT** side of the VisiFilter.
- d) Connect the VisiFilter Air Hose (with attached male quick connect hose mount Fitting) to the power source **AUTO SNAP-VAC** Port.

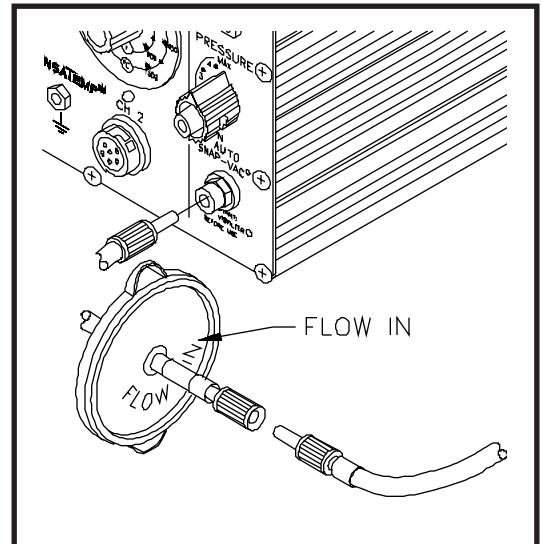


Figure 6. VisiFilter Set-Up

5. For vacuum, insert the male quick connect hose mount Fitting connected to the long Air Hose into the female Fitting on the 1 inch (2.5cm) Air Hose (connected to VisiFilter). For pressure, insert the male quick connect hose mount Fitting directly into the Controllable **PRESSURE** Port.

## CAUTION

When removing any Air Hose, turn and pull. **DO NOT** attempt to pull Air Hose directly off. Damage to or breakage of Vacuum Fitting or VisiFilter may occur.

# SET-UP

## TRADITIONAL METHOD

1. Connect the 54 inch (137cm) length of Air Hose to the metal tube in the back of each air handpiece.
2. Insert a male quick connect hose mount Fitting (P/N 1259-0087) to the free end of the 54 inch (137cm) length of Air Hose. Secure the Air Hose to the handpiece power cable with cable clips (P/N 1321-0085-01).

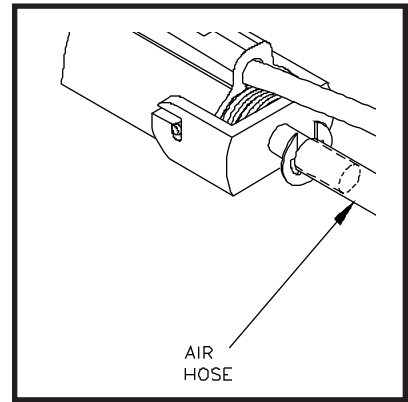


Figure 7. Air Hose Connection

3. Prepare a VisiFilter in the following manner.
  - a) Connect a 1 inch (2.5cm) length of clear pvc Air Hose to each side of the VisiFilter; push and turn hose onto VisiFilter nipple to seat.
  - b) To the free end of the Air Hose connected to the **FLOW IN** side of the VisiFilter, insert the ridged end of a female quick connect hose mount Fitting (P/N 1259-0086).
  - c) Insert the ridged end of a male quick connect hose mount Fitting (P/N 1259-0087) in the free end of the Air Hose connected to the **FLOW OUT** side of the VisiFilter.
  - d) Connect the VisiFilter Air Hose (with attached male quick connect hose mount Fitting) to the power source **AUTO SNAP-VAC** Port.

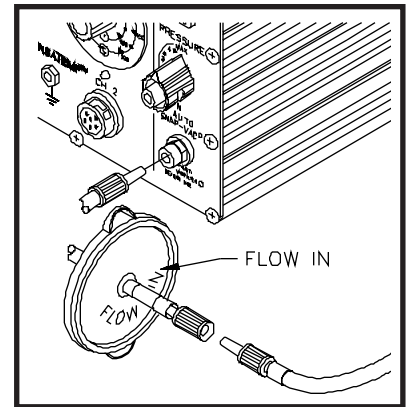


Figure 8. VisiFilter Set-Up

4. For vacuum, insert the male quick connect hose mount Fitting connected to the long Air Hose into the female Fitting on the 1 inch (2.5cm) Air Hose (connected to VisiFilter). For pressure, insert the male quick connect hose mount Fitting directly into the Controllable **PRESSURE** Port.

### CAUTION

When removing any Air Hose, turn and pull. DO NOT attempt to pull Air Hose directly off. Damage to or breakage of Vacuum Fitting or VisiFilter may occur.

# QUICK START - BASIC OPERATION

## QUICK START PROCEDURE

The MBT 201A and 101A systems are very easy to operate. As received from the factory, the system can be quickly set up for use in standard soldering/desoldering operations. Simply perform the following Quick Start Procedure to begin system operation.

1. Insure that the Set-Up procedure has been performed; check for the following:
  - a) VisiFilter connection to the **AUTO SNAP-VAC** Port on the front panel of the power source.
  - b) Handpiece cable and air hose connections to the power source.

### NOTE

If more than one air-operated handpiece (SX-70, TJ-70 or TP-65) is connected to the power source, insure that only one of the Air Hoses is connected to either the VisiFilter assembly (connected to the **AUTO SNAP-VAC** Port) or the Controllable **PRESSURE** Port. Attachment to both simultaneously will cause a deterioration in performance.

- a) All handpiece Tip & Tool Stands set up as desired (using instructions enclosed).
  - b) Proper tips installed in handpieces.
  - c) Power cord connection between the house AC supply receptacle and the power source.
2. Turn the Power Switch to the "On" ("I") position.
  3. Adjust the Variable Temperature Control of each channel with a connected handpiece to the desired tip temperature.
  4. Observe the Channel LEDs as the Set Tip stabilizes at the desired Tip Temperature, the associated LED will flash at a constant rate.

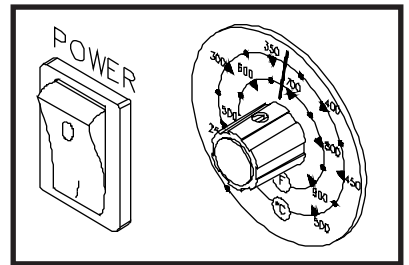


Figure 9. Power Up

### NOTE

Read the "Operation" section of this manual to utilize the full capabilities of the system. This is especially important when using large soldering tips. Refer to the enclosed handpiece manuals for a complete description of handpiece capabilities.

# OPERATION

## TIP & TEMPERATURE SELECTION

### TIP OFFSET

Differences between temperature settings and true tip temperatures are negligible when using Thru-hole, single point soldering or desoldering tips. With any heating system however, actual tip temperatures can differ greatly from temperature control settings when using larger SMT soldering tips. This difference is called Tip Temperature Offset. The PACE “Tip & Temperature Selection System” allows you to select and maintain a True Tip Temperature for any size and type of tip using the appropriate Tip Offset compensation value. The PACE Tip & Temperature Selection System allows you to select and maintain a True Tip Temperature for any size and type of SMT tip.

PACE recommends the use of the Tip & Temperature Selection System Booklet (PACE P/N 5050-0251 included with your system) as a guide to accurately set and maintain a true tip temperature. Select the appropriate handpiece chart (in the booklet) for your application; identify the correct tip and Dial/Display setting for the desired tip temperature. Then set the Variable Temperature Control (Dial/Display setting) for the channel powering the handpiece to obtain the desired True Tip Temperature.

### VARIABLE TEMPERATURE CONTROL

Adjust the Variable Temperature Control(s) to the desired temperature setting. Notice that the control dial has a Gray scale denoting temperature in °C (Celsius) and a Yellow scale denoting temperature in °F (Fahrenheit). These numerical scales denote the set tip temperature times 100 (e.g., "3" on the Yellow scale is 3 x 100 or 300°C).

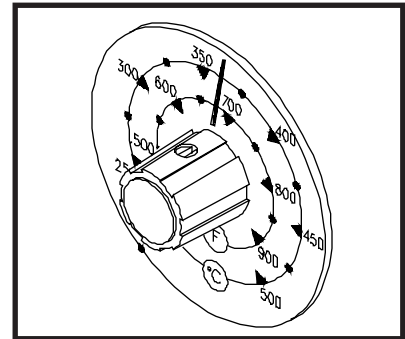


Figure 10. Adjust Temperature

## CHANNEL LED OPERATION

The Channel LED(s) are a visual indication of Power Output status. Following is an explanation of these status indicators.

**LED Full On** - Continuous power is being delivered to the handpiece connected to the associated channel. This condition is evident when the system is first powered up (handpiece heater cold) or the Variable Temperature Control is increased.

**LED Flashing** - Indicates that the set tip temperature (as set on the associated Variable Temperature Control) has been reached. Power to the handpiece is cycling Off and On to maintain set temperature.

**LED Off** - No power is being delivered to the handpiece connected to the associated channel. This condition is evident if the Variable Temperature Control is decreased.

# CORRECTIVE MAINTENANCE

## VISIFILTER ELEMENT REPLACEMENT

Follow the procedure listed below to replace the VisiFilter element when it becomes clogged or discolored.

1. Disconnect the handpiece air hose by gently turning and pulling the coupled Fittings.
2. Disconnect the Visifilter and hose assembly from the Power Source by gently turning and pulling the male Fitting inserted into the **AUTO SNAP-VAC** Port.
3. Disconnect VisiFilter from both attached 1 inch air hoses by gently turning and pulling the VisiFilter while holding each of the hoses.
4. Separate the 2 plastic housing halves of the VisiFilter in the following manner.
  - a) Grasp the VisiFilter in the palm of the hand with the Male Nib (air hose connection) marked "FLOW IN" facing you.
  - b) Pull against one of the Wing Tabs while pulling on the Male Nib with the free hand to open the interconnection of the plastic housings at that Wing Tab.
  - c) Pull against the second Wing Tab while pulling on the Male Nib to open the remaining interconnection and separate the plastic housings.
5. Remove the old or discolored Element and discard.
6. Insert the replacement VisiFilter Element into the housing marked "FLOW IN". Center the Element in the housing well.
7. Squeeze the 2 plastic housing halves together using 4 plastic Bumps on the housing marked "FLOW OUT" as pressure points. The 2 plastic housings will snap together and lock the VisiFilter Element in position.
8. Reconnect the 1 inch air hoses (removed in step 3) to the VisiFilter.
9. Attach VisiFilter and hose assembly to Power Source by inserting male Fitting into the **AUTO SNAP-VAC** Port.

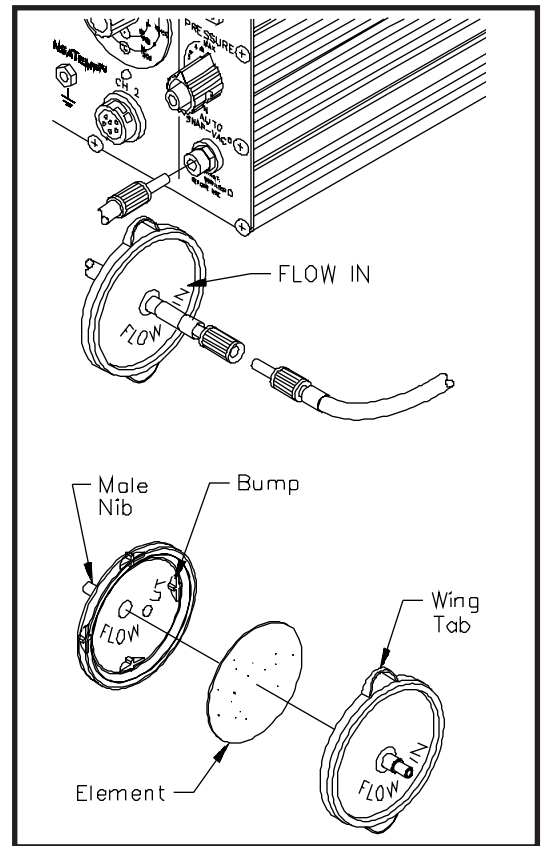


Figure 11. VisiFilter Element Replacement

# CORRECTIVE MAINTENANCE

## HANDPIECES

The following "Heater Assembly Checkout Procedures" are applicable to all PACE SensaTemp handpieces except for the TT-65 ThermoTweez handpiece. Refer to either of the TT-65 manuals (P/N 5050-0300 or 5050-0336) for troubleshooting procedures pertinent to that handpiece.

Perform the "Heater Assembly Checkout Procedures" with the handpiece (and heater) at room temperature. If the handpiece is warm, resistance readings will be different from those shown.

SYMPTOM	CHECKOUT PROCEDURE	CAUSE	SOLUTION	HEATER SPECIFICATIONS
No heat.	Check resistance - Pin 2 to Pin 5. Refer to "Heater Specifications" column. If resistance is high -	Open Heater.	Replace Heater Assembly.	<b>SX-70 = 8 - 10 ohms</b> <b>SP-1A = 10 - 12 ohms</b>
	Check resistance - Pin 3 to Pin 6. If circuit reads open -	Open Sensor.	Replace Heater Assembly.	
Handpiece is overheating.	Check resistance - Pin 3 to Pin 6. Resistance should be 110 ohms. If circuit resistance reads less than 105 ohms -	Shorted Sensor.	Replace Heater Assembly.	<b>SP-2A = 8 - 10 ohms</b> <b>TP-65 = 9 - 11 ohms</b> <b>TJ-70 = 6 ohms</b>
Fuse blows when unit is turned on.	Check resistance - Pin 2 to Pin 5. Refer to "Heater Specifications" column. If resistance is low -	Solder short in Handpiece.	Remove Short. Replace Heater Assembly & Fuse F1.	
		Shorted Heater.	Replace Heater Assembly & Fuse F1.	
No Ground on Tip.	Check resistance - Pin 4 to a NEW Tip. Resistance should be less than 2 ohms. If not -	Oxidation buildup in Heater Bore.  Defective Heater.	Clean Heater Bore using appropriate wire brush.  Replace Heater Assembly.	

Table I. Heater Assembly Checkout Procedures

# CORRECTIVE MAINTENANCE

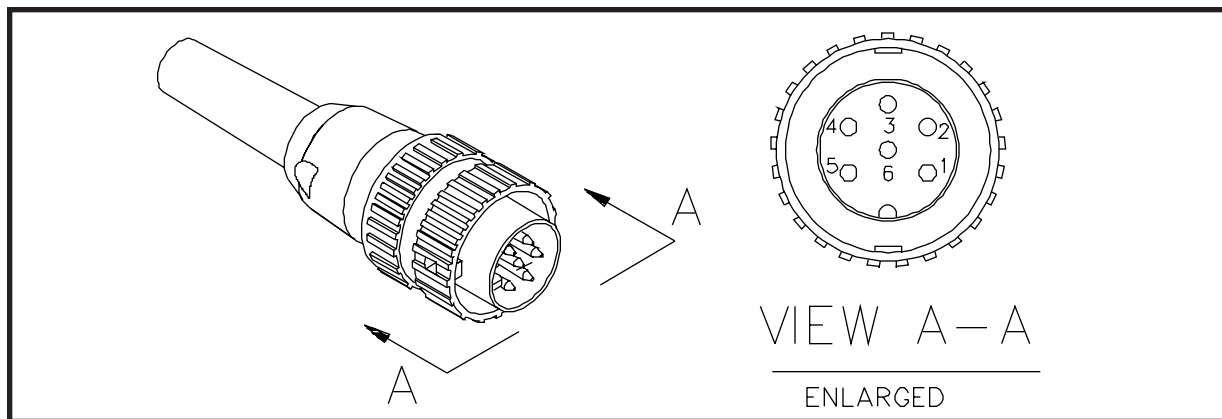


Figure 12. Connector Plug Wiring

## POWER SOURCE

Most malfunctions are simple and easy to correct. Refer to the table shown below to clear these malfunctions.

SYMPTOM	PROBABLE CAUSE	SOLUTION
No power to system.	Blown Fuse (F1).	Replace fuse F1 located on rear of Power Source in the AC Receptacle/Fuse Holder.
No heat on handpiece. Other handpieces work on Power Source channel.	Defective Heater.	See Table I or refer to handpiece Manual.
No heat on handpiece. Other handpieces do not work on Power Source channel.	Defective control circuit.	Contact PACE Customer Service.

Table II. Power Source Corrective Maintenance



# REPLACEMENT PARTS

## POWER SOURCE

Listed below are the replacement parts which may be ordered directly from PACE sales or through your local authorized PACE distributor. Refer to Figure 1, Page 9. To obtain any parts other than those listed below, contact PACE Customer Service directly at Tel. # (301) 490-9860 or Fax # (301) 604-9215.

ITEM NO.	DESCRIPTION	PACE PART NUMBER		
		MBT 201A MBT 101A	MBT 201AJ MBT 101AJ	MBT 201AE MBT 101AE
1	Power Switch	1157-0052	1157-0052	1157-0052
2	AC Power Receptacle/Fuse Holder	1207-0151	1207-0151	1207-0151
3	Fuse (F1), 1.25A (MBT 201A, MBT 101A)	1159-0217	N/A	N/A
	1.25A (MBT 101AJ)	N/A	1159-0251	N/A
	1.6A (MBT 201AJ)	N/A	1159-0256	N/A
	0.63A (MBT 201AE, MBT 101AE)	N/A	N/A	1159-0214
4	Service Manual	5050-0340	5050-0340	5050-0340

Table III. Power Source Replacement Parts

# REPLACEMENT PARTS

## ACCESSORY TRAY, MBT 201A/J/E

Listed below are items included in MBT 201A, MBT 201AJ and MBT 201AE System Accessory Trays.

ITEM NO.	DESCRIPTION	PACE PART NUMBER	
		MBT 201A MBT 201AJ	MBT 201AE
1	SX-70 Sodr-X-Tractor Handpiece	6010-0077	6010-0077
2	SP-2A Sodr-Pen Soldering Iron	6025-0014	6025-0014
3	Operation & Maintenance Manual	5050-0381	5050-0381
4	Tubing, Silicone, Translucent, 54" Length	1342-0001-13	1342-0001-13
5	VisiFilter	1309-0028	1309-0028
	VisiFilter Replacement Elements (optional item)	1309-0027-P50	1309-0027-P50
6	Bristle Brush, Glass Chamber Cleaning	1127-0002	1127-0002
7	Power Cord	1332-0094	1332-0093
8	Tubing, Clear PVC, 1" Length (Qty. 2)	1325-0003-07	1325-0003-07
9	Wire Brush, 3/16" Dia.	1127-0014	1127-0014
10	Wire Brush, 1/8" Dia.	1127-0006	1127-0006
11	Tip Cleaning Kit	6993-0151	6993-0151
12	AdapTip Kit (1/8" Tip to 3/16" Shank)	1360-0083-P1	1360-0083-P1
13	Tip & Temp. Selection System Charts (booklet)	5050-0251	5050-0251
14	SP Tip & Tool Stand	6019-0043	6019-0043
15	SX Tip & Tool Stand	6019-0044	6019-0044

Table IV. MBT 201A, MBT 201AJ, MBT 201AE Accessory Tray

# REPLACEMENT PARTS

## ACCESSORY TRAY, MBT 101A/J/E

Listed below are items included in MBT 101A, MBT 101AJ and MBT 101AE System Accessory Trays.

ITEM NO.	DESCRIPTION	PACE PART NUMBER	
		MBT 101A MBT 101AJ	MBT 101AE
1	SX-70 Sodr-X-Tractor Handpiece	6010-0077	6010-0077
2	Operation & Maintenance Manual	5050-0381	5050-0381
3	Tubing, Silicone, Translucent, 54" Length	1342-0001-13	1342-0001-13
4	VisiFilter	1309-0028	1309-0028
	VisiFilter Replacement Elements (optional item)	1309-0027-P50	1309-0027-P50
5	Bristle Brush, Glass Chamber Cleaning	1127-0002	1127-0002
6	Power Cord	1332-0094	1332-0093
7	Tubing, Clear PVC, 1" Length (Qty. 2)	1325-0003-07	1325-0003-07
8	Wire Brush, 3/16" Dia.	1127-0014	1127-0014
9	Wire Brush, 1/8" Dia.	1127-0006	1127-0006
10	AdapTip Kit (1/8" Tip to 3/16" Shank)	1360-0083-P1	1360-0083-P1
11	Tip Cleaning Kit	6993-0151	6993-0151
12	SX Tip & Tool Stand	6019-0044	6019-0044
13	Tip & Temp. Selection System Charts (booklet)	5050-0251	5050-0251

Table V. MBT 101A, MBT 101AJ, MBT 101AE Accessory Tray

# REPLACEMENT PARTS

## ACCESSORY KIT, MBT 201/J/E

Listed below are items included in MBT 201A, MBT 201AJ and MBT 201AE System Accessory Kits.

ITEM NO.	DESCRIPTION	PACE PART NUMBER		
		MBT 201A	MBT 201AJ	MBT 201AE
1	Tip Tool	1100-0206	1100-0206	1100-0206
2	Desoldering Tip, 3/16" Shank, .040 I.D.	1121-0342	1121-0342	1121-0342
3	Desoldering Tip, 1/8" Shank, .040 I.D.	1121-0254	1121-0254	1121-0254
4	Desoldering Tip, 1/8" Shank, Angled, .040 I.D.	1121-0262	1121-0262	1121-0262
5	Soldering Tip, 1/8" Chisel	1121-0337	1121-0337	1121-0337
6	Soldering Tip, 1/32" Conical	1121-0336	1121-0336	1121-0336
7	Sodr-X-Tractor Filter	1309-0018	1309-0018	1309-0018
8	Holder, Tube To Wire (pkg. of 6)	1321-0085-01	1321-0085-01	1321-0085-01
9	Hose Clamp, Metal (qty. 2)	1211-0036	1211-0036	1211-0036
10	Male Quick Connect Hose Mount (qty. 2)	1259-0087	1259-0087	1259-0087
11	Female Quick Connect Hose Mount	1259-0086	1259-0086	1259-0086
12	Fuse, 1.25A. Time Lag (MBT 201A)	1159-0217	N/A	N/A
	1.6A. Time Lag (MBT 201AJ)	N/A	1159-0256	N/A
	0.63A. Time Lag (MBT 201AE)	N/A	N/A	1159-0214

Table VI. MBT 201A/J/E Accessory Kits

# REPLACEMENT PARTS

## ACCESSORY KIT, MBT 101A/J/E

Listed below are items included in MBT 101A, MBT 101AJ and MBT 101AE System Accessory Kits.

ITEM NO.	DESCRIPTION	PACE PART NUMBER		
		MBT 101A	MBT 101AJ	MBT 101AE
1	Tip Tool	1100-0206	1100-0206	1100-0206
2	Desoldering Tip, 3/16" Shank, .030 I.D.	1121-0367	1121-0367	1121-0367
3	Desoldering Tip, 3/16" Shank, .040 I.D.	1121-0342	1121-0342	1121-0342
4	Desoldering Tip, 3/16" Shank, .060 I.D.	1121-0368	1121-0368	1121-0368
5	Desoldering Tip, 1/8" Shank, .030 I.D.	1121-0253	1121-0253	1121-0253
6	Desoldering Tip, 1/8" Shank, .040 I.D.	1121-0254	1121-0254	1121-0254
7	Desoldering Tip, 1/8" Shank, Angled, .030 I.D.	1121-0261	1121-0261	1121-0261
8	Desoldering Tip, 1/8" Shank, Angled, .040 I.D.	1121-0262	1121-0262	1121-0262
9	Sodr-X-Tractor Filter	1309-0018	1309-0018	1309-0018
10	Holder, Tube To Wire (pkg. of 6)	1321-0085-01	1321-0085-01	1321-0085-01
11	Male Quick Connect Hose Mount (qty. 2)	1259-0087	1259-0087	1259-0087
12	Female Quick Connect Hose Mount	1259-0086	1259-0086	1259-0086
13	Fuse, 1.25A. Time Lag (MBT 101A/J)	1159-0217	1159-0251	N/A
	0.63A. Time Lag (MBT 101AE)	N/A	N/A	1159-0214

Table VII. MBT 101A/J/E Accessory Kits

# MANUAL IMPROVEMENT & COMMENT

## Instructions

1. Duplicate this form and submit comments on the copy. Keep the original to make future comments.
2. Complete all requested information.
3. Submit completed form to:
 

PACE Incorporated	Fax: (301) 604 - 9215
Applications Engineering	
9893 Brewers Court	
Laurel MD 20723-1990	U.S.A.

Document Nbr: **5050-0381**

Revision Level: **B**

Date of Submission:

Nature of Change (Identify page and paragraph and include proposed rewrite, if possible.)

Reason for Recommendation

Submitter:

Name:

Company or Organization:

Mailing Address:

Telephone (Include Area Code)

Voice:

Fax:

Thank you for your comments; they are greatly appreciated!